



EU2W

ELECTRIC UNLOCK TRIM - for use with 40/50/51/V40/V50/V51 Series Exit Device

Provides remote means of locking or unlocking a door for authorized entry, access control, security or safety needs when used in conjunction with any Detex 40/V40 Series rim or 50/51/V50/V51 Series surface vertical rod exit device on doors with a minimum stile width of 4". Excellent source of security for access control systems used in installations in schools, universities, hospitals, retail, industrial, etc.



Benefits -

- Clutching trim limits vandalism
- Key override for emergency entrance during loss of power (FSE)

Features -

- Cylinder override
- Spring loaded tailpiece
- Vandal resistant break-away type lever

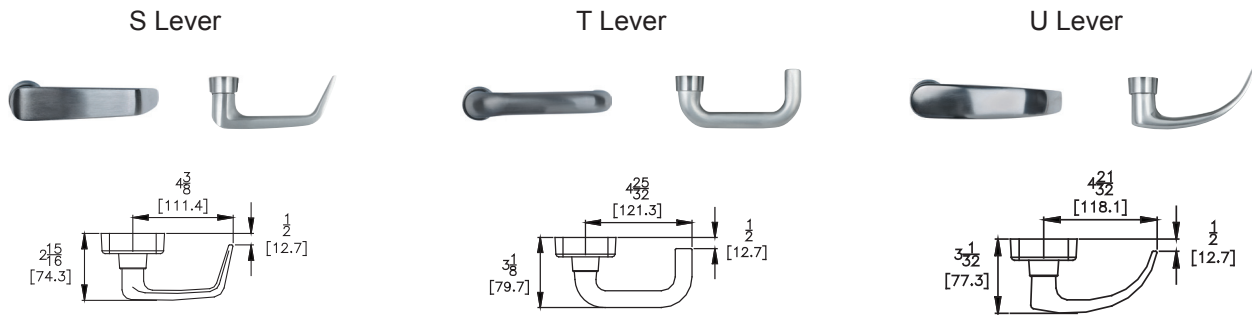
Mechanical Options -

- Not Field Reversible
- EU2W - Comes standard as D Trim, with S style Lever and Fail Secure (FSE), for use with Detex 40/V40 Series Rim or 50/51/V50/V51 Series Surface Vertical Rod Device
- EU2W x DT or DU - Comes with T style or U style lever, for use with Detex 40/V40 Series Rim or 50/51/V50/V51 Series Surface Vertical Rod Device

Electrical Options -

- Fail Secure (FSE) - During power failure, device will be locked (Security option)
ex: EU x FSE
- Fail Safe (FSA) - During power failure, the trim will always be unlocked. (Life Safety option)
ex: EU x FSA
- Not Field Selectable
- Not Field Selectable

Lever Options -



Accessories

- MC65 - Mortise Cylinder
- IC7 - 7-pin Mortise Cylinder Housing (Core not included)
- 80-800 - 24 VDC power supply with battery charging circuit
- 90-800 - 24 VDC power supply without battery charging circuit
- CCL - Long cylinder collar (11/16")
- SE-2 - Shaft extension for 2 to 2 1/2" thick doors

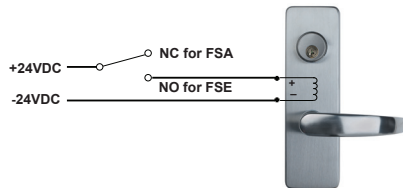
Finishes

605 / US3	Polished Brass	612 / US10	Brushed Bronze	629 / US32	Polished Stainless Steel
606 / US4	Brushed Brass	613 / US10B	Oil Rubbed Bronze	630 / US32D	Brushed Stainless Steel
611 / US9	Polished Bronze				

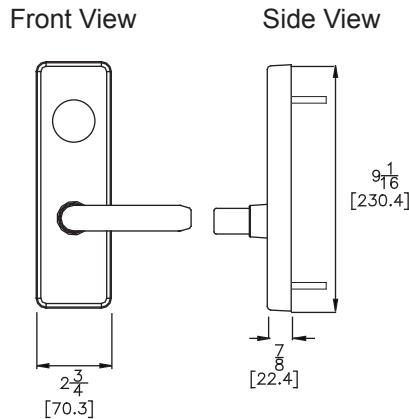
Technical Information

- 24VDC / 150ma continuous duty

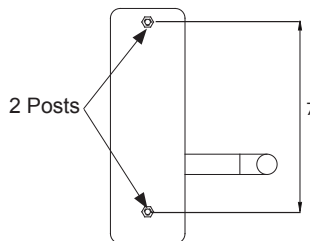
Wiring Diagram -



Dimensions -



Back View



Detex Limited Warranty

10 Year Mechanical/3 Year Electrical Limited Manufacturer's Warranty

Listings and Approvals -

MIL-STD 810F (G), Method 509.4 (Salt Fog Test)

MIL-STD 810F (G), Method 506.4 (Driving Rain), Procedure 1

UL1034 - 33 Temperature Section 33 [Temperature Range -31° F (-35° C) to 150° F (+66° C)]

UL1034 - 53 Dust Section 53

Where Trust is Built™
DETEX®
Life Safety and Security Door Hardware

Detex Corporation
 302 Detex Drive
 New Braunfels, Texas 78130-3045 USA
 PH. (830) 629-2900
 (800) 729-3839
 FAX (830) 620-6711
 (800) 653-3839
<http://www.detex.com>
 USA Sales:
marketing@detex.com
 International Sales:
export@detex.com